

Securing COMBITUBE on ceiling rails

FOBA carries two different ceiling rail systems in its assortment:

- ROOF TRACK for small studios and smaller loads; for self-installation
- MEGA TRACK for large ceiling rail units and heavy loads

For both systems, FOBA offers trolleys onto which COMBITUBE* can be screwed.

COMBITUBE* on ceiling rails is primarily used in the following cases:

- For low ceilings: thanks to COMBITUBE, the lamps can be pushed far upwards.
- For solid and stable lamp positions; no wobbling lamps.
- For complex lamp positions: thanks to modularity, the right construction of COMBITUBE.
- When many lamps need to be fastened to the ceiling and be mobile.

ROTUO

COMBITUBE trolley for ROOF TRACK



REGIE (left), RAGIE (right)

COMBITUBE trolleys for MEGA TRACK



COMBITUBES* should be secured against turning so that they do not accidentally loosen:

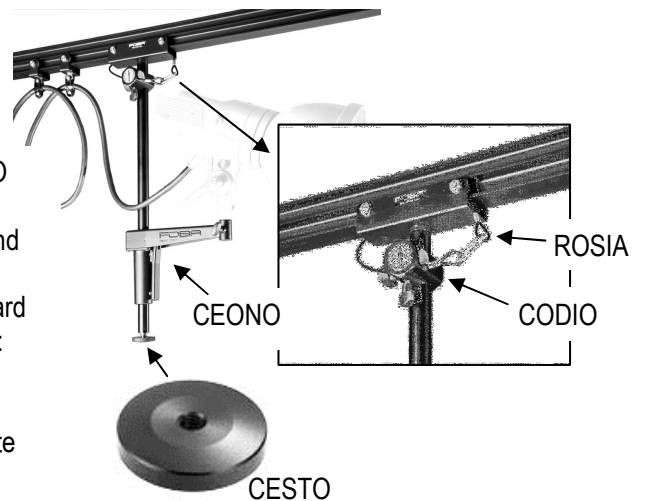
- b) For several vertical COMBITUBES:
Secured with horizontal struts (in the photo with COGEA articulated connectors and the appropriate COMBITUBE).

- a) For a single vertical COMBITUBE: Secured at the top with a connecting element (in the photo with cross connector CODIO) and a ROSIA safety wire.

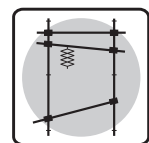


In order that the CEONO sliding clamp does not accidentally move beyond the lower edge of the COMBITUBE, a safeguard below is also necessary:

- Left with safety ring CEGEE 25
- Right with CESTO plate



Complex lamp position: thanks to COMBITUBE, solid and stable.



* visit www.foba.ch to learn more about the versatile COMBITUBE system

Subject to change without notice

Made in Switzerland
Made by **FOBA**[®]